

DEFENDER SS/XT - CORNER GUARDS

Alvarado's Defender SS and Defender XT removable corner guards are the perfect choice to protect expensive store assets.

The stainless steel SS model has a satin finish that matches virtually any décor. Secure fitting color accent caps can be added for a splash of color if desired.

The Defender XT adds an extra measure of protection with an extremely tough polyurethane coating that will not chip or peel. The Defender XT comes standard in all-purpose matching black. Custom colors are available with quantity orders.

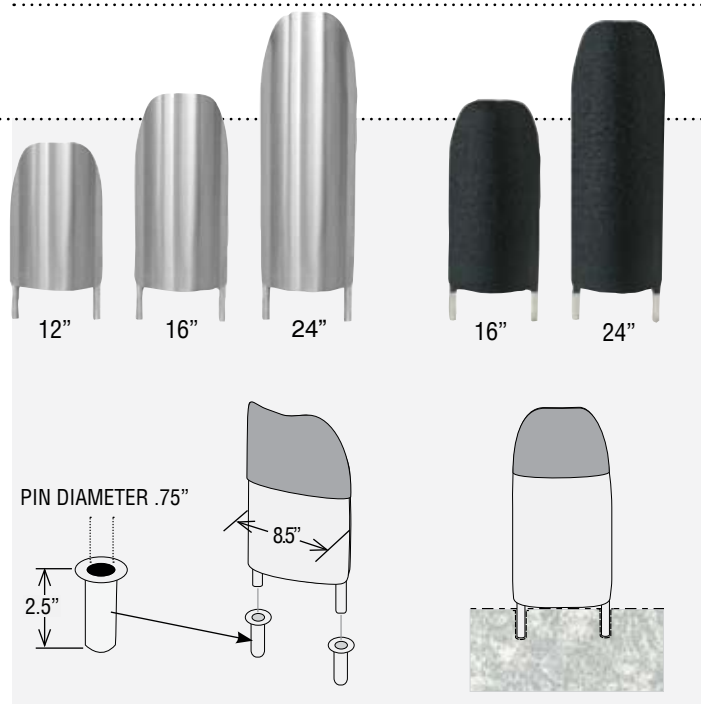
Each Defender case protector fits into stainless steel floor sockets - which are provided - allowing the product to be removed for floor cleaning.



DEFENDER SS SHOWN WITH OPTIONAL ACCENT CAP.

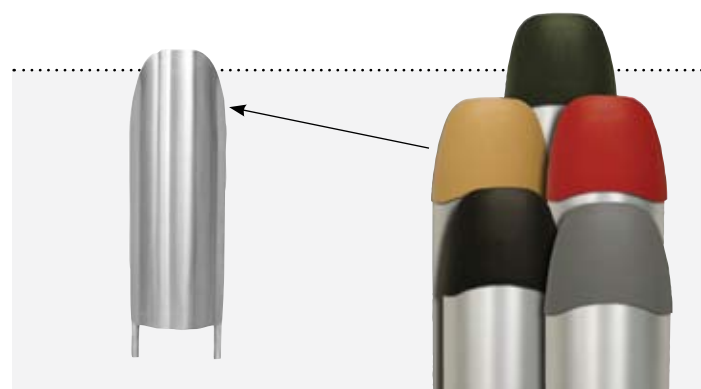
DEFENDER SS

DEFENDER XT



ALL DEFENDER CORNER GUARDS ARE REMOVABLE.

DEFENDER ACCENT CAP COLORS



DEFENDERS ARE GENERALLY IN STOCK AND AVAILABLE.

SS CORNER GUARDS

XT CORNER GUARDS

DSS-12 12"

DXT-16 16"

DSS-16 16"

DXT-24 24"

DSS-24 24"

ACCENT CAPS FOR DEFENDER SS

Model No.	Product Description
08-2395-BLK	BLACK
08-2395-HTG	HUNTER GREEN
08-2395-RED	RED
08-2395-BGE	BEIGE
08-2395-GRY	GRAY



CRI

The durable CRI provides high impact protection and a classic rounded look for protection of refrigerated cases and retail fixtures.

The CRI is available in 12", 16" and 24" heights in a bright chrome finish.

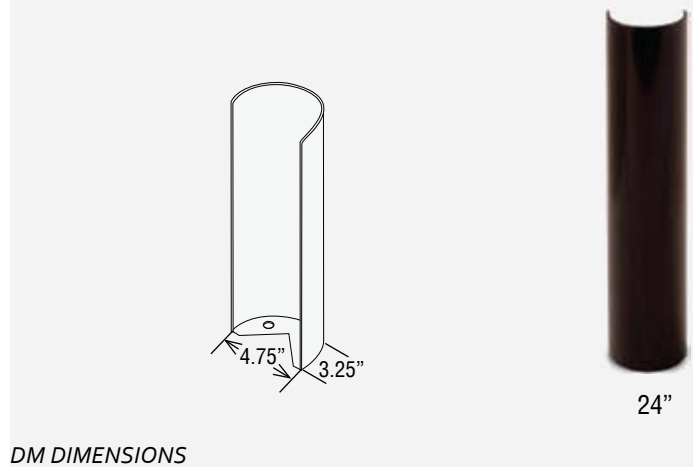
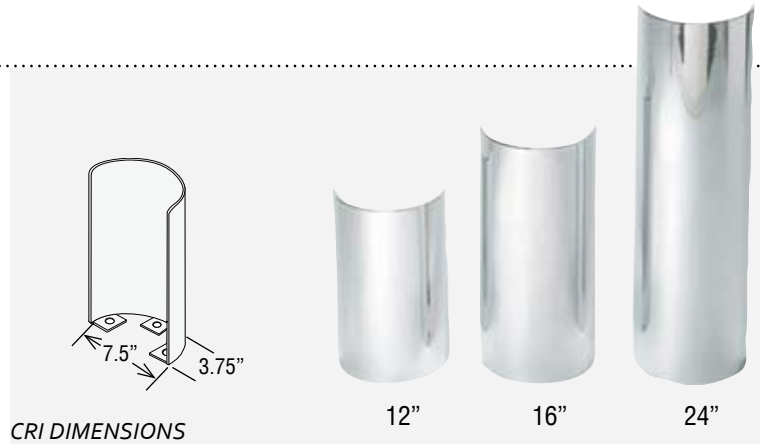
All CRI's come with SB14 expansion anchors.

DM

The 24" high DM features a tightly curved protection plate and V-cut interior mounting base, which allows the DM to be installed in close proximity to cases, fixtures and electronic article surveillance equipment.

DM corner guards have a black powder coat finish.

All DM's come with wedge anchors.



CRI CORNER GUARDS

CRI-12 12"

CRI-16 16"

CRI-24 24"

DM CORNER GUARDS

DM24-PF 24"



DM CORNER GUARD PROTECTING ELECTRONIC ARTICLE SURVEILLANCE EQUIPMENT.