

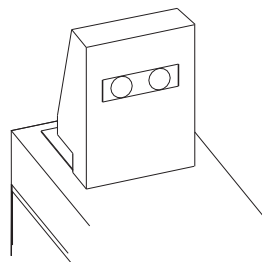
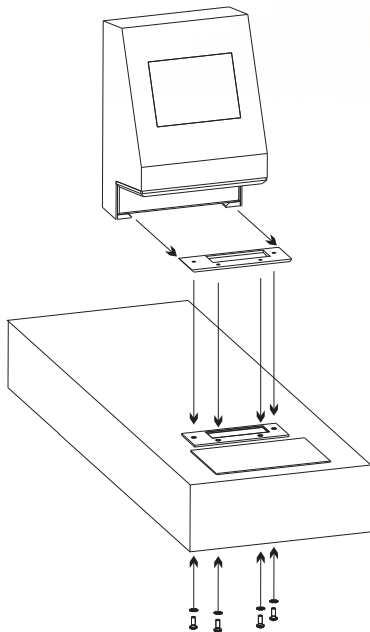
# TAS Interactive Guest Scanner

Intelligent  
**ENTRY  
EQUIPMENT**

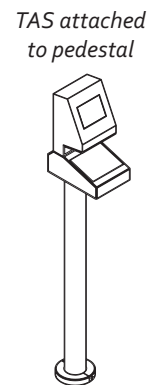
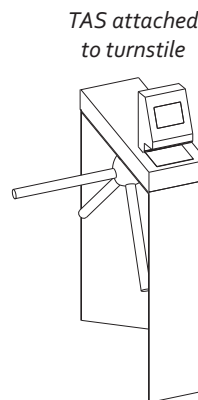
www.alvaradomfg.com

Our versatile TAS is generally used for guest self-scanning. The TAS communicates with Alvarado's GateLink Admission, ParkAdmission or GateConnect Software and is used to validate bar coded tickets and passes and unlock turnstiles, doors or gates. The TAS has a full color TFT monitor that displays customized graphics downloaded from the server and communicates to the server via TCP/IP.

- Attaches to turnstiles or pedestals
- Easy for guests to understand and use
- Display is visible in bright sunlight and provides branding and advertising space
- Used with Alvarado's GateLink Admission, ParkAdmission and GateConnect Software
- Locks and unlocks turnstiles, doors and gates
- Operates in variable temperature environments
- Networked with server via wired or wireless Ethernet
- Simple to install and service
- Microsoft CE operating system



Back of TAS notifies attendant of ticket status with bright red, green, and yellow LED lights or an optional vacuum fluorescent display.



ALVARADO

The TAS is simple to install and replace. It attaches to turnstiles, walls, or pedestals.



# TAS II

## Interactive Operator Console

Intelligent  
**SCANNING  
SOLUTIONS**

[www.alvaradomfg.com](http://www.alvaradomfg.com)

The TAS II has a weatherized touch screen which allows the validation of individual and group membership tickets or passes. The TAS II allows operators to enter quantities, view pass or ticket history, verify child or senior status and view usage history. The TAS II also supports customized data input to conform to a facility's entry process. A scanner can be built into the TAS II, and/or a front scanner can be used.

- Attaches to turnstiles or pedestals
- Processes group and membership tickets
- Standard and user-defined screens
- Display is visible in bright sunlight
- Operates with Alvarado's GateLink, ParkAdmission and GateConnect Software
- Locks and unlocks turnstiles, doors and gates
- Operates in variable temperature environments
- Networked with server via wired or wireless Ethernet
- Simple to install and service
- Microsoft CE operating system



*The TAS II is ideal for validating group tickets at turnstiles and gates.*